

SGカップ

SGCUP 溶湯品質測定用消耗品
Consumables for measuring



SGカップ-Q

鑄鉄、CE値・C%・Si%測定カップ
Cup for measuring the carbon equivalent,
C% and Si% of cast iron



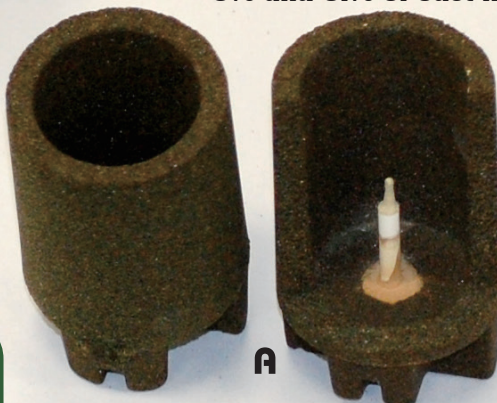
SGカップ-P

鑄鉄、CE値・C%・Si%測定カップ
Cup for measuring the carbon equivalent,
C% and Si% of cast iron



SGカップ-C

鑄鉄、CE値・C%・Si%測定カップ
Cup for measuring the carbon equivalent,
C% and Si% of cast iron

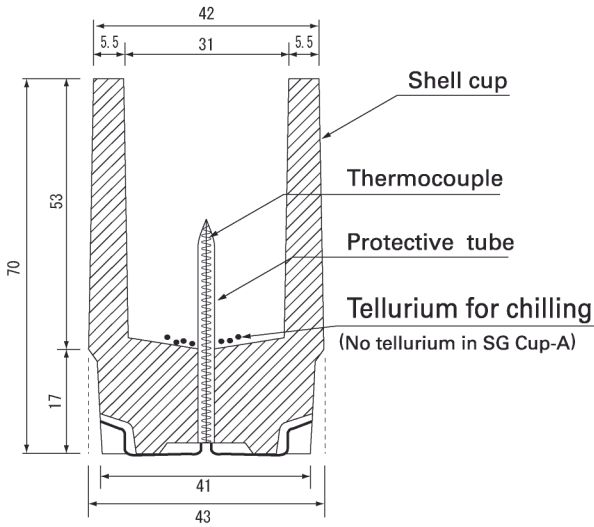


SGカップ-A

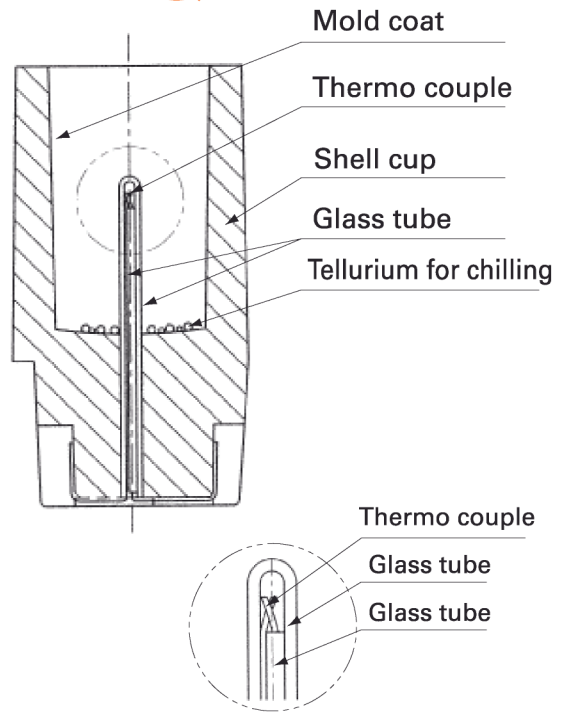
鑄鉄、CE値・ダグタイル球状化率測定カップ
Cup for measuring the carbon equivalent and nodularity
ratio of cast iron

Cross-sectional View

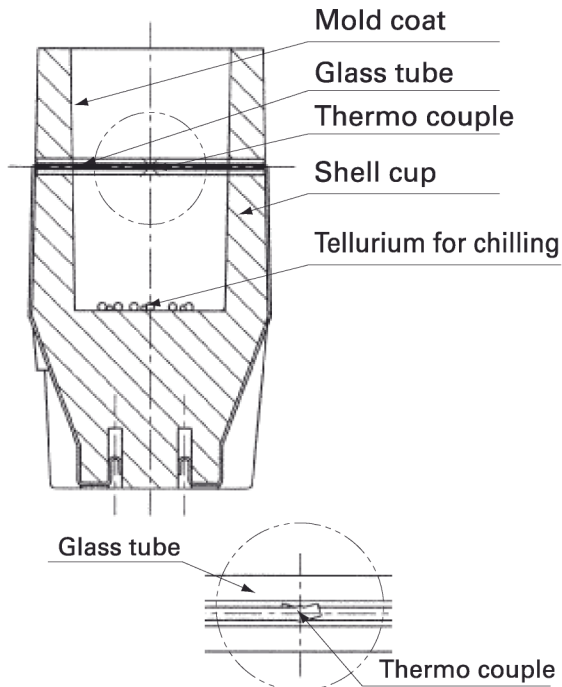
SGCUP-C SGCUP-A



SGCUP-Q



SGCUP-P



Produced and Sold by



NAKAYAMA CO.,LTD.

Head Office 3-37-22 Kodama, Nishi-ku, Nagoya City, Japan 451-0066
TEL.052-521-1171 FAX.052-521-1180
E-mail : info@nakayama-meps.co.jp
http://www.nakayama-meps.co.jp/english/

Eastern Japan business office
TEL.024-545-6588
FAX.024-544-6588

Western Japan business office
TEL.090-7970-6448
FAX.082-253-1241